

Ambient  
temp  
110.000

# Avanti

AVANTI PRODUCTS DIVISION OF THE MACKLE CO. INC.  
P.O. BOX 520604 - MIAMI FLORIDA 33152

CONSUMER INFORMATION SERVICE

IF YOU NEED ASSISTANCE, CALL TOLL FREE  
FROM ANYWHERE IN THE UNITED STATES  
(800) 220 - 5570.

## USER'S GUIDE DOUBLE DOOR REFRIGERATOR

Record serial number and model number of this  
appliance in space provided below.

Serial Number 3725  
Model Number 1352 YWT



Retain these numbers for reference

## Index

Important safety instructions	2
Notes on disposal	2
Parts and Features	3
Electrical connection	4
Preparation and operation	4
Setting the Controls	4
Room temperature	5
Use of the ice cube trays	5
Defrosting	5
Changing the Light Bulb	6
Vacation and Moving Care	6
Food Storage Guide	6-7-8
Freezing	8
Cleaning your Refrigerator	9
Avoid unnecessary service calls	10
Changing Reversible Doors	11-12
Warranty	13

## Important Safety Instructions

<b>⚠ WARNING</b>	To reduce the risk of fire, electrical shock, or injury when using your refrigerator, follow these basic precautions:
<ul style="list-style-type: none"><li>* Read all instructions before using the refrigerator.</li><li>* Child entrapment and suffocation are not problems of the past. Junked or abandoned refrigerators are still dangerous... even if they will 'just sit in the garage a few days'. If you are getting rid of your old refrigerator, do it safely. Please read the safety booklet from the Association of Home Appliance Manufacturers. Help prevent accidents.</li></ul>	<ul style="list-style-type: none"><li>* Never allow children to operate, play with, or crawl inside the refrigerator.</li><li>* Never clean refrigerator parts with flammable fluids. The fumes can create a fire hazard or explosion.</li></ul> <p><b>* FOR YOUR SAFETY *</b> <b>DO NOT STORE OR USE GASOLINE OR OTHER FLAMMABLE VAPORS AND LIQUIDS IN THE VICINITY OF THIS OR ANY OTHER APPLIANCE. THE FUMES CAN CREATE A FIRE HAZARD OR EXPLOSION.</b></p> <p><b>- SAVE THESE INSTRUCTIONS -</b></p>

### Notes on disposal

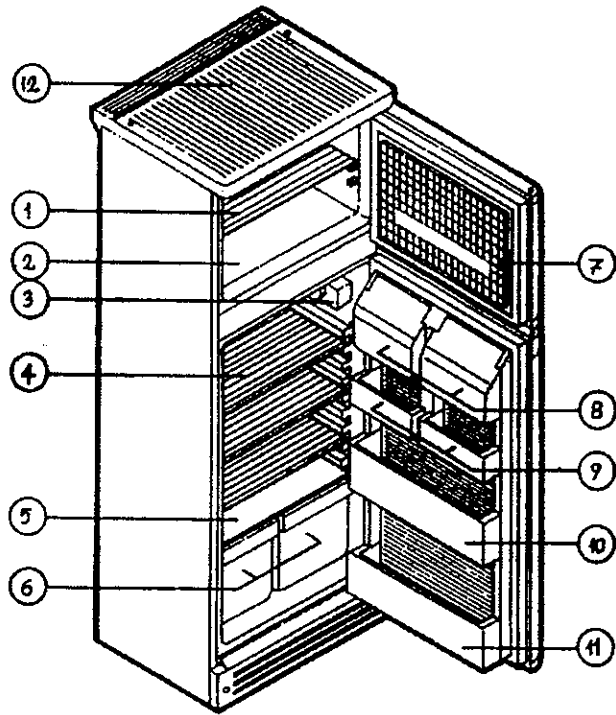
Old appliances still have some residual value. An environment-friendly method of disposal will ensure that valuable raw materials can be recovered and used again. Unplug your old appliance, cut through the mains cable and throw away cable and plug together.

The refrigerant used in freezers and refrigerators and the gases in the insulation material require special disposal procedures. Ensure that none of the pipes running through the appliance are damaged prior to disposal.

Your new appliance was protected by adequate packaging while it was on its way to you. All materials used for this purpose are environment-friendly and suitable for recycling. Please contribute to protecting the environment by disposing of the packaging appropriately.

Do not allow children to play with any parts of the packaging. There is a risk of suffocation by the cardboard boxes and plastic wrapping.

Up-to-date information concerning options for disposing of your old appliance and the packaging from the new one can be obtained from your retailer or local council office.



**PARTS and FEATURES**

- 1. Freezer shelf
- 2. Freezer compartment
- 3. Thermostat box
- 4. Shelves
- 5. Transparent vegetable shelf
- 6. Storage compartment
- 7. Freezer door
- 8. Dairy compartment
- 9. Adjustable door shelf
- 10 - 11. Bottle rack
- 12. Upper plate

## ELECTRICAL CONNECTION

### RECOMMENDED GROUNDING METHODS

This appliance should be properly grounded for your safety.

The power cord of this appliance is equipped with a three-prong plug which mates with standard three prong wall outlet to minimize the possibility of electric shock hazard from this appliance.

\* Do not, under any circumstances, cut or remove the third ground prong from power cord supplied with this appliance.

\* Use of extension cords are not recommended.

The location you choose should be away from heat sources like stove, heater, or radiator. Avoid installing your refrigerator in humid places (like next to sinks).

### LEVELING

Place your refrigerator on a floor strong enough to support it when fully loaded.

Make your refrigerator stand level by adjusting the legs provided in case of uneven floors.

### PREPARATION AND OPERATION

Before loading foods in your refrigerator:

1. Place all the racks and any kind of vessels on their proper places.
2. If required, perform necessary cleaning.
3. Open the door of your refrigerator and any covers inside it for a period of time so as to aerate it.
4. Plug in the unit before checking for current presence in the socket.
5. Set the thermostat button to the highest position, then close the door and the covers.
6. Keep the unit operational in this setting for not less than one hour.
7. Then you can place foods inside the unit.
8. Afterwards, set can the thermostat button to any position you require. In doing this, consider information in the section titled "Setting the controls" (Selection of thermostat positions).

### SETTING THE CONTROLS

Your refrigerator has only one control for regulating the temperature in the fresh food and in the freezer compartment. It is located on the upper right side of the lower section.

When the refrigerator is plugged in for the first time, set the control to 3. Temperature control adjustments range from 1 (warmest) to 6 (coldest).

In a day or two, you may decide if the control is set correctly. The setting indicated above should be correct for normal, household refrigerator usage. If you use the freezer section often, set the control to 6. The number six setting is recommended for short term usage only. The controls will be set correctly when milk or juice is as cold as you like and when ice cream is firm. You will find on pages 6 & 7 some suggestions for storing fresh or frozen food.

## ROOM TEMPERATURE

Your appliance being of class T specified in standards, realizes the freezing process in environments between +18 °C and +43 °C with the most productive and superior performance.

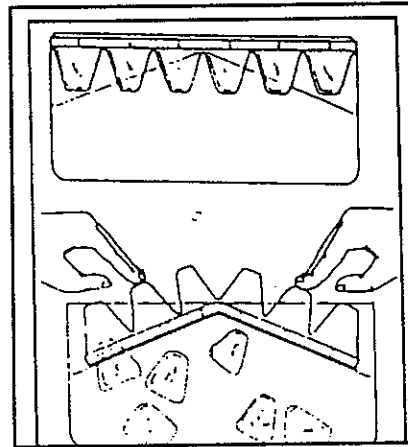
The appliance may be exposed to lower or higher temperatures but only for shorter period of time and the temperature should never be lower than +5°C. In case the appliance is exposed to temperatures lower than +16°C, the operation of the refrigerator is normal, yet the temperature in the freezing compartment is raised which shortens the storage time of the frozen foods. Never place the appliance near heat emitting devices (e.g. cooker, radiator, water heater or similar devices) and do not expose it to direct sunlight.

## USE OF THE ICE CUBE TRAYS

An ice box is supplied together with an ice tray. For your ice requirements, fill approximately 3/4 of the tray after having washed it.

To eject ice cubes into the bucket provided, insert the ice tray and twist slightly until the pieces of ice fall.

If cubes are not used, they may shrink. The longer cubes are stored, the smaller they get.



## DEFROSTING

Your refrigerator defrosts the ice on the lower part automatically. During this cycle, the water formed by melting frost in the freezer is directed down the back wall and drained into a shallow plastic pan beneath the cabinet where it is evaporated. To remove the defrost pan at the bottom of the cabinet, pull it out and set it aside. This pan should be cleaned at least once a year. Check also the draining pipe at regular intervals to see if it is clogged.

To remove the defrost pan, pull it out and set it aside.

When there is excessive frost in the deep freezer section, from time to time you may have to defrost this section as follows:

First, run the temperature control to the coldest setting for about 12 hours; this way when you remove the food out, they will be protected during the period of defrosting. Then unplug the refrigerator and use the plastic spatula supplied with it to clean the frost. Never remove the ice with a sharp or pointed object. Let the ice melt by itself.

After the ice and frost melts, dry the water with a sponge and/or a paper towel. Place the food previously removed.

## **CHANGING THE LIGHT BULB**

Before removing the light bulb, either unplug the refrigerator or disconnect the electricity leading to the refrigerator at the main power supply. Failure to do so could result in electrical shock or personal injury.

To change the refrigerator light:

- 1-Remove the bulb cover in front of the thermostat box. Notice there is a screw holding this cover.
- 2-Remove bulb.
- 3-Replace with a 15 watt appliance bulb.
- 4-Reconnect refrigerator to power supply.

**Note:** Be sure to replace bulb with one of the same size and shape.

## **VACATION AND MOVING CARE**

### **VACATION**

Remove all the food if you are going for a month or more. Unplug the refrigerator and clean it. Rinse well and dry. Keep doors open far enough for air to get in. This will keep odor and mold from building up.

### **MOVING**

Remove all food. Pack frozen in dry ice. Unplug the refrigerator and clean it thoroughly. Take out all removable parts. Wrap all parts and tape them together so they do not shift and rattle. Screw in the leveling legs and tape the doors shut. Be sure refrigerator stays in upright position during actual moving and in van. Protect outside of refrigerator with blanket.

When you get to your new home, refer to page 3.

## **FRESH FOOD GUIDE**

There is a correct way to pack and store refrigerated or frozen food. To keep food fresher, longer, take the time to study these recommended steps.

### Storing fresh food

Food placed in the refrigerator should be wrapped or stored in air and moisture proof material. This prevents food odor and taste transfer throughout the refrigerator. For dated products, check code date to ensure freshness.

#### Attention!

Do not place the food or the bags in a way to touch the inner rear wall of the refrigerator.

### Leafy vegetables

Remove store wrapping and trim or tear off bruised and discolored areas. Wash in cold water and drain. Place in plastic bag or plastic container and store in crisper.

### Vegetables with skins (carrots, peppers)

Store in crisper, plastic bags or plastic container.

### Fruit

Wash, let dry and store in refrigerator in plastic bags or crisper. Do not wash or hull berries until they are ready to use. Sort and keep berries in their store container in a crisper, or store in a loosely closed paper bag on a refrigerator shelf.

### Eggs

Store without washing in the original carton on door compartment.

### Milk

Wipe milk cartons. For best storage, place milk on interior shelf.

### Butter or margarine

Keep opened butter in covered dish or closed compartment.

When storing an extra supply, wrap in freezer packaging and freeze.

### Cheese

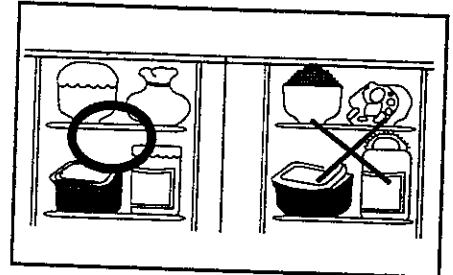
Store in the original wrapping until you are ready to use it. Once opened, rewrap tightly in plastic wrap or aluminum foil.

### Leftovers

Cover leftovers with plastic wrap or aluminum foil. Plastic containers with tight lids can also be used.

### Meat

Most meat can be stored in original wrapping as long as it is air and moisture proof. Rewrap if necessary. See the following chart for storage times.



TYPE	APPROXIMATE TIME (DAYS) *
Chicken	1 to 2
Ground beef	1 to 2
Steaks and roasts	3 to 5
Cured meats	7 to 10
Bacon	5 to 7
Cold cuts	3 to 5
Variety meats	1 to 2

\*If meat is to be stored longer than the times given, follow the directions for freezing.  
NOTE: Fresh fish and shellfish should be used the same day as purchased.



## Storing frozen food

The freezer section is designed for storage of commercially frozen food and for freezing food at home.

**NOTE:** For further information about preparing food for freezing or food storage times, contact your local Cooperative Extension Service or check a freezer guide or a reliable cookbook.

## Packaging

The secret of successful freezing is in the packaging. The way you close and seal the package must not allow air or moisture in or out. Packaging done in any other way could cause food odor and transfer throughout the refrigerator and drying of frozen food.

### Recommended packaging for freezing:

- \* Rigid polyethylene (plastic) containers with tight-fitting lids
  - \* Straight-sided canning/freezing jars.
  - \* Heavy-duty aluminum foil
  - \* Plastic-Coated paper
  - \* Non-permeable plastic wraps (made from a saran film)
- Follow package or container instructions for proper freezing methods.

### Do not use:

- \* Bread wrappers
- \* Non-polyethylene plastic containers
- \* Containers without tight lids
- \* Waxed-coated freezer wrap
- \* Thin, semi-permeable wrap

The use of this wrapping could cause food odor, taste transfer and drying of frozen food.

## Freezing

Do not expect your freezer to quick-freeze any large quantity of food. Put no more unfrozen food into the freezer than will freeze within 24 hours. (No more than 2 to 3 pounds of food per cubic foot of freezer space) Leave enough space for air to circulate around packages. Be careful to leave enough room at the front so the door can close tightly. Storage times will vary according to the quality of the food, the type of packaging or wrap used (air and moisture proof) and the storage temperature (which should be 0° F [-17.8° C] )

## CLEANING YOUR REFRIGERATOR

Your unit should be cleaned about once a month to prevent odors from building up. Spills should be wiped out right away.

To clean your refrigerator, turn the temperature control to off, unplug it and take out all removable parts, according to the following instructions.

PART	WHAT TO USE	HOW TO CLEAN
Removable parts (shelves, crisper, etc.)	Sponge or cloth with mild detergent and warm water	* Hand wash, rinse and dry thoroughly.
Outside	Sponge, cloth or paper towel with mild detergent, warm water and an appliance wax (or good auto paste wax)	* Wash outside of cabinet. Do not use abrasive or harsh cleaners. * Rinse and dry thoroughly. * Wax painted metal surfaces at least twice a year. Apply wax with a clean soft cloth. Waxing painted metal surfaces provides rust protection. Do not wax plastic parts.
Inside walls (freezer should be allowed to warm up so cloth won't stick)	Sponge, soft cloth or paper towel with baking soda or mild detergent and warm water	* Wash with mixture of warm water and - mild detergent or - baking soda (2 tablespoons (26 g) to 1 quart (.95 L) of water). * Rinse and dry thoroughly.
Door liners and gaskets	Sponge, soft cloth or paper towel with mild detergent and warm water	* Wash, rinse and dry thoroughly. DO NOT USE cleaning waxes, concentrated detergents, bleaches or cleaners containing petroleum on plastic parts.
Plastic parts (covers and panels)	Sponge, clean sponge or soft, clean cloth with mild detergent and warm water	* Wash, rinse and dry thoroughly. DO NOT USE paper towels, window sprays, scouring cleaners, or flammable fluids. These can scratch or damage material.
Defrost pan	Sponge or cloth with mild detergent and warm water	* Remove base grille. * To remove defrost pan, lift pan over wire brace (remove tape if any). * Wash, rinse and dry thoroughly. * Replace with notched corner to the rear. Push it in all the way. * Make sure defrost pan drain tube is pointing into pan. * Replace base grille.
Condenser coils	Vacuum cleaner with extended narrow attachment	* Remove base grille. * Vacuum coils when dusty or dirty. Coils may need to be cleaned as often as every other month. * Replace base grille.
Floor under refrigerator	Floor cleaners	* Roll refrigerator out only as far as the water supply line allows. * Clean floor. * Roll refrigerator back into place. * Check to see if the refrigerator is level

## AVOID UNNECESSARY SERVICE CALLS

Before calling a serviceman, check the chart below for problems you can fix without difficulty and save you the cost of a service call.

PROBLEM	POSSIBLE CAUSE	SOLUTION
Your refrigerator will not operate	The power supply cord is not plugged into a live circuit with proper voltage.	Firmly plug power cord into a live circuit with proper voltage.
	A household fuse has blown or circuit breaker tripped.	Replace household fuse or reset circuit breaker.
	The Refrigerator Control is not set correctly.	Set 'Refrigerator' Control to a numbered setting.
Unfamiliar sounds or a rattling/jingling noise.	There is something on top of or behind the refrigerator.	Remove item from on top of or behind the refrigerator.
	The sounds are normal.	New features on your new refrigerator make new sounds.
There is water in the defrost pan.	This is normal in hot, muggy weather. The pan may even be half full.	Make sure the refrigerator is level so the pan does not overflow.
The lights do not work.	A household fuse has blown or circuit breaker tripped.	Replace household fuse, or reset circuit breaker.
	The power supply cord is not plugged into a live circuit with proper voltage.	Firmly plug power cord into a live circuit with proper voltage.
	The bulb is burned out.	Replace bulb.
The motor seems to run too much.	The condenser coils are dirty.	Clean the coils.
	It is hot outside or in the room.	On hot days, or if the room is too warm, the motor naturally runs longer.
	The door has been opened frequently.	Open the door as few times as possible.
	A large amount of food has been put in at one time.	The motor will run longer in order to cool down the interior when food is added.

## Changing Reversible Doors:

This refrigerator has been built with the door hinges on the right. If you wish to change the opening direction, follow instructions below.

1- Remove the upper rounded top (3). Using a sharp object, pry out the 2 plug buttons (1) and remove the (2) PHILLIPS screws (1). Remove the 2 PHILLIPS screw (2) which connect the upper hinges to the upper rounded top. Place top plate (3) on a padded surface to prevent scratching.

2- Remove the hex-head screws of the upper hinge (4). Carefully lift the freezer door (5) and place it on a padded surface to prevent scratching.

3- Remove the PHILLIPS screws of the center hinge (6). Carefully lift the door (7) and place it on a padded surface to prevent scratching. Save the parts removed for future use.

4- Remove the kick plate (grille base) (8) by taking out the screws at each side of it with a PHILLIPS screwdriver.

5- Remove the lower hinge (9) from the right side and transfer it to the left end.

6- Using a sharp object, pry out the plug buttons of the middle hinge holes (10). Press them into the opposite corner (11).

7- Fit the grille base (12) into its place.

8- Set the lower door (13) to its place making sure the hinge pin enters the bushing in the door bottom section.

9- While holding the door in the closed position, loosely secure the center hinge (14) using the screw removed (STEP 3)

10- Set the freezer door (15) to its place making sure the hinge pin enters the door bushing in the bottom sections of the door.

11- While holding the freezer door in the closed position, loosely secure the upper hinge (16) using the bolts removed in STEP 2.

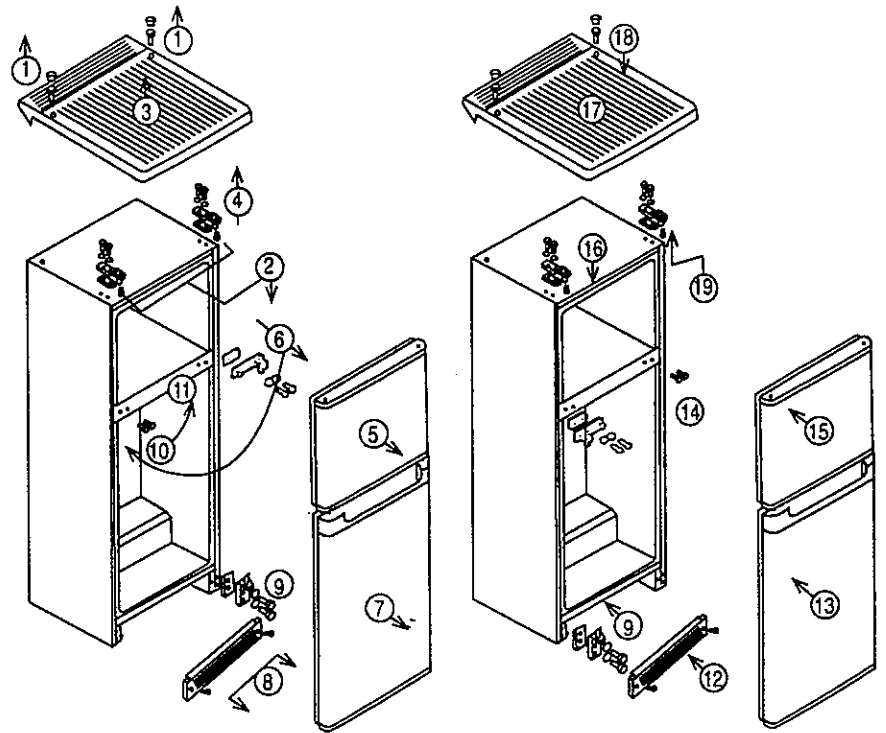
12- Before tightening these bolts, make sure the top of the door is level with the cabinet top, and the space between the doors is equidistant across the entire front. Avoid over-tightening these screws. Tighten both until they are just snug, then turn them another one-half turn.

13- Replace the upper rounded top (17).

14- Tighten the upper rounded top screws (18) and press the plug buttons (18).

15- Fit and tighten the screws (19) which connect the upper hinges to the upper rounded top.

16- Check the gasket, it shouldn't be creased and it should seal well.



## REFRIGERATOR AND FREEZER PRODUCT WARRANTY

### FULL ONE YEAR WARRANTY

For the first year after purchase and use within the continental United States by the original consumer. Avanti Product, Inc., will at its option, repair or replace any part of the AVANTI Refrigerator or Freezer which proves to be defective in material or workmanship under normal use. In commercial or rental application the warranty period is ninety (90) days. During this period Avanti Products will provide all parts and labor necessary to correct such defects free of charge, so long as the appliance has been installed and operated in accordance with the written instructions furnished with the appliance.

The customer will be responsible for cost of service calls resulting from problems considered Normal Responsibilities of User (See paragraph so entitled)  
To obtain service on your Avanti Refrigerator or Freezer refer to the Directory of Avanti Authorized Appliance Service Stations and call the closest company for inspection and repair of the appliance under the terms of this warranty.

All Avanti Appliances of 3.5 cubic foot capacity or less must be brought/sent to the applicable service shop for repair.

### LIMITED SECOND THROUGH FIFTH YEAR COMPRESSOR WARRANTY

For the second through fifth years of use Avanti Products will make available a replacement compressor as may be required due to failure. In commercial or rental use this additional limited compressor warranty in one (1) year and nine months. Any and all labor charges for determination of cause of failure, installation of the replacement compressor and transportation / handling charges for shipment of the replacement compressor will be the responsibility of the user.

Cartage charges for moving the appliance to a service shop (as may be required ) and back to the user's home will also be the user's responsibility.

## EXCLUSIONS

Avanti Products shall not be responsible for content losses food or otherwise incidental or consequential damages resulting from the failure of the product to conform to any express or implied warranty. In addition, Avanti Products is not responsible for service calls which do not involve defects in material or workmanship or other external causes such as abuse, misuse, inadequate power supply or Acts of God.

Therefore, cost of replacement or repair of the following items, parts or labor, will not be considered warranty repairs:

- 1- Evaporator doors.
  - 2- Evaporator door springs and / or frames.
  - 3- Inner door panels ( Includes plastic door shelves ) and chest freezer lid liners.
  - 4- Door shelf rails and /or supports.
  - 5- Vegetable crispers.
  - 6- Vegetable crisper covers (glass or plastic).
  - 7- Light bulbs and/or plastic housing.
  - 8- Plastic cabinet liners.
  - 9- Punctured evaporators which will void the warranty on the complete refrigerating system, i.e. compressor, condenser, evaporator and related tubing.
- This warranty does not apply in Hawaiian Island, U.S. Virgin Islands, Puerto Rico and/or any foreign country.

## NORMAL RESPONSIBILITIES OF USER

- 1- Proper installation and use of the appliance in accordance with instructions supplied with the Refrigerator or Freezer.
- 2- Replacement of light bulbs.
- 3- Repair of damage to finish.
- 4- Proper connection to power supply of sufficient voltage.
- 5- Replacement of blown fuses.
- 6- Repair of loose connections or defect in house wiring.
- 7- Accessibility of the appliance to the service technician for repairs.

The user must keep a copy of the Bill of Sale, or Payment Record verifying the purchase date to validate this warranty.

**AVANTI PRODUCTS, DIVISION  
OF THE MACKLE CO., INC.  
P.O. BOX 520604-MIAMI  
FLORIDA 33152**